

Service Parts List for Models UN0815, UF0915, UN1215, UF1415, UN1520 and UF2020

This is the service parts lists for the above Scotsman ice machines.

There are two cabinet sizes, two ice forms and three capacities.

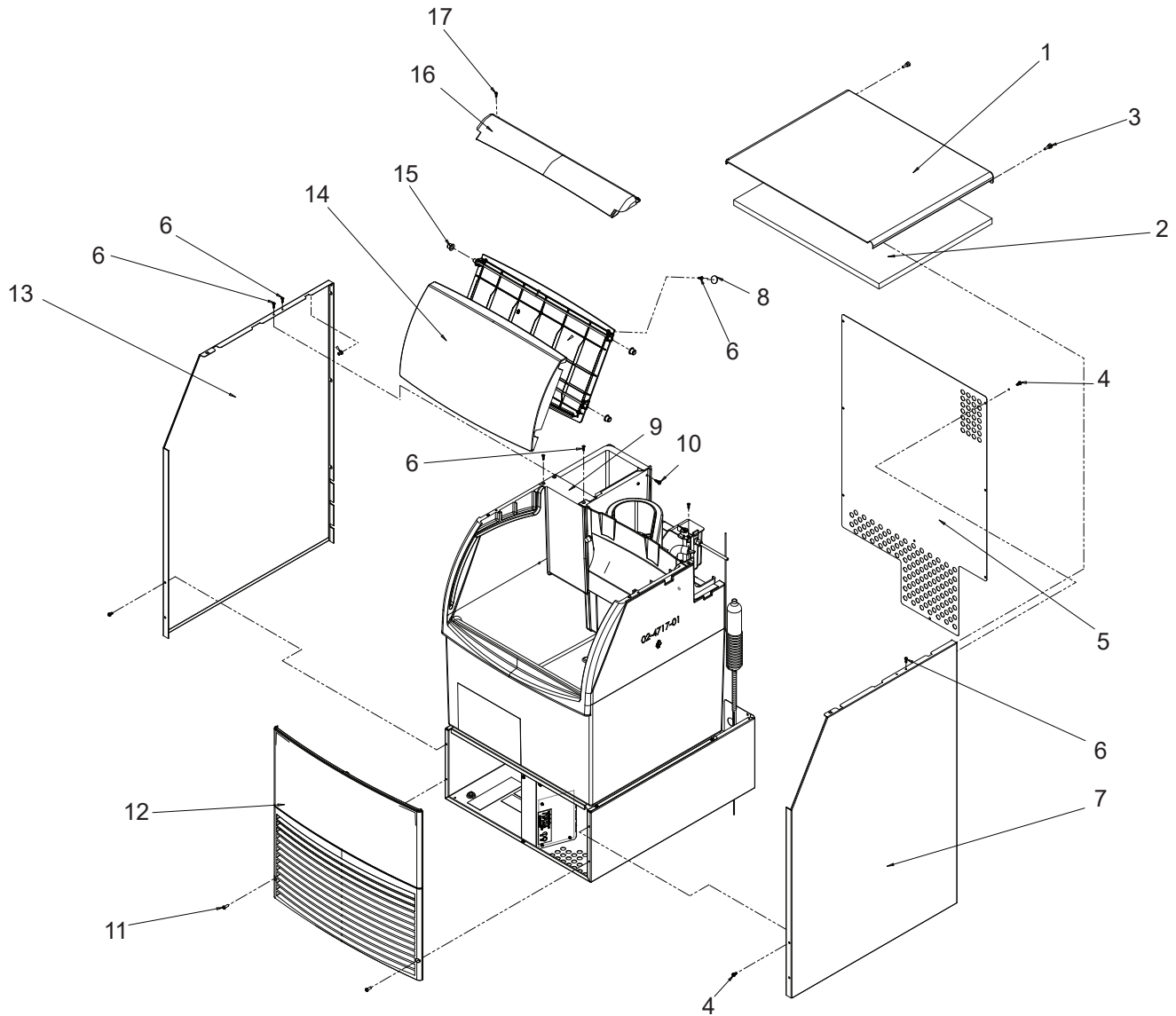
Be CERTAIN to order the correct part for the model being worked on.

Contents

- Cabinet Page 2
- Bin and Deck..... Page 3
- Upper Bin Parts Page 4
- Reservoir Parts Page 5
- Fan and Fan Blade Page 6
- Ice Making and Gear Reducer Page 7
- Refrigeration for Models UN0815/UF0915, UN1215/UF1415..... Page 8
- Refrigeration for Models UN1520, UF2020..... Page 9
- Controller, Transformer and Harnesses..... Page 10

Service Parts List for Models UN0815, UF0915, UN1215, UF1415, UN1520 and UF2020

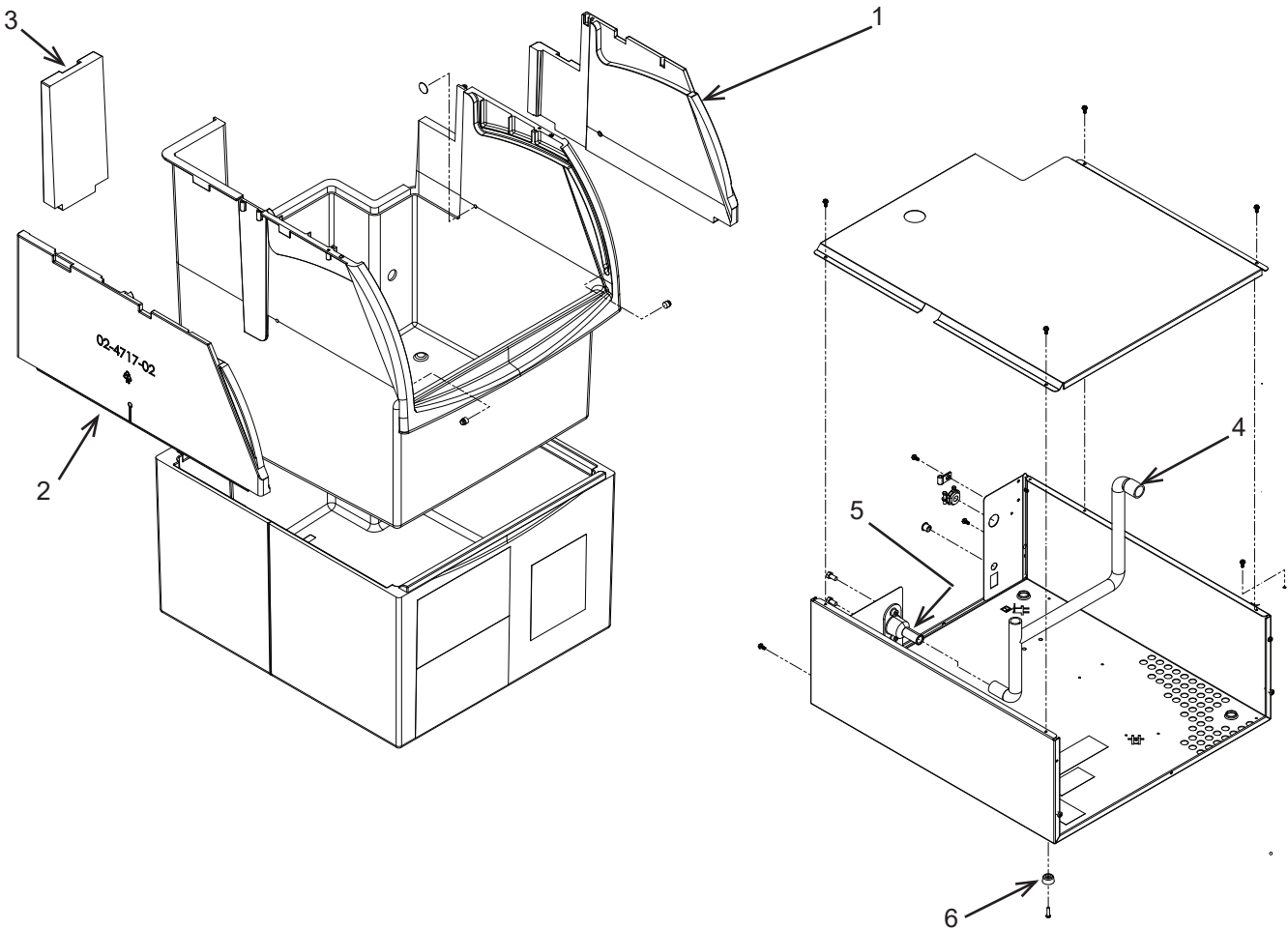
Cabinet



Item	Part Number	Description
1	A39993-001	Top panel, 15"
	A39993-002	Top panel, 20"
2	13-0985-01	Insulation, 15"
	13-0985-02	Insulation, 20"
3	03-0727-05	Thumb screw
4	03-3943-01	Screw
5	A39996-001	Back panel, 15"
	A39997-001	Back panel, 20"
6	03-3870-01	Screw
7	A39990-004	Right side panel
8	02-5019-01	Cap
9	02-4699-01	Support, 20"
10	03-3965-01	Screw, 20"
11	03-1404-12	Screw
12	02-4683-01	Front panel, 15"
	02-4684-01	Front panel, 20"
13	A39990-003	Left side panel
14	02-4685-01	Door, 15"
	02-4685-04	Inside door, 15"
	02-4686-01	Door, 20"
	02-4686-04	Inside door, 20"
15	03-3941-01	Bushing
16	02-4691-01	Top frame, 15"
	02-4692-01	Top frame, 20"
17	03-3836-03	Screw

Service Parts List for Models UN0815, UF0915, UN1215, UF1415, UN1520 and UF2020

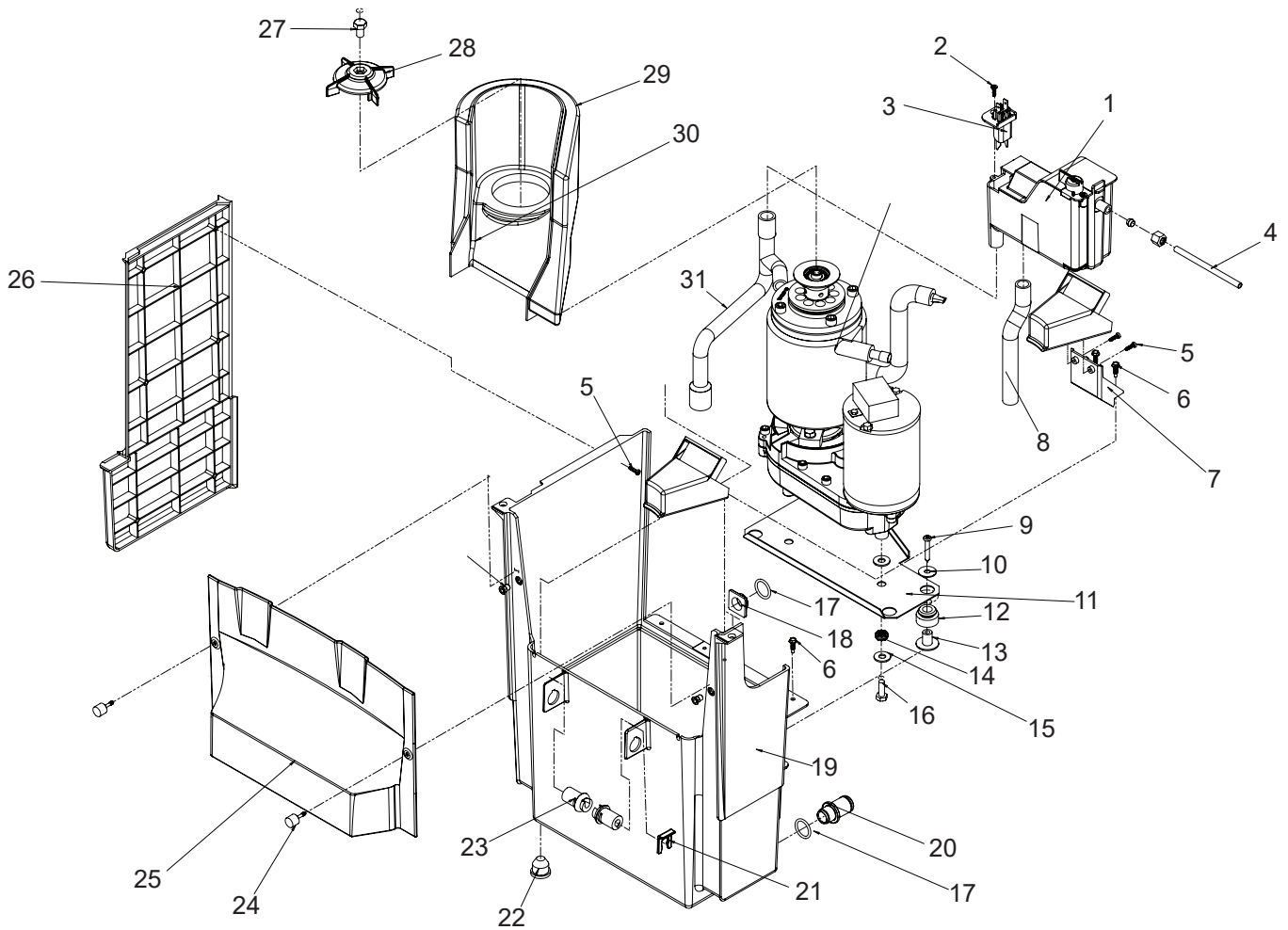
Bin and Deck



Item	Part Number	Description
1	02-4717-01	Insulation, Rt. side
2	02-4717-02	Insulation, Lft side
3	02-4718-01	Filler, 20" only
4	02-5099-01	Drain hose
5	02-3692-23	Drain fitting
6	03-3940-01	Bumper

Service Parts List for Models UN0815, UF0915, UN1215, UF1415, UN1520 and UF2020

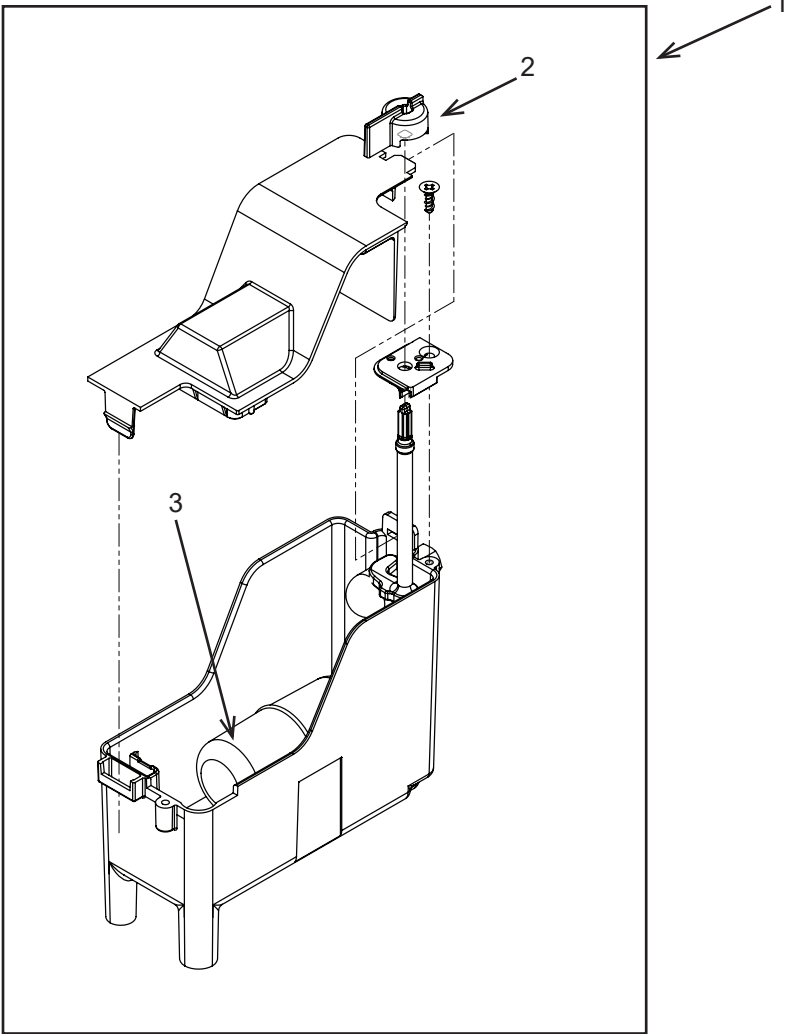
Upper Bin Parts



Item	Part Number	Description
1	A40664-001	Reservoir
2	03-3870-01	Screw
3	A40666-001	Water sensor
4	13-0895-01	Tubing, order 6 units
5	03-3836-03	Screw
6	03-3695-01	Screw
7	02-5078-01	Reservoir bracket
8	02-5083-01	Overflow hose
9	03-1404-41	Bolt
10	03-3935-02	Washer
11	A41035-001	Gearmotor base
12	03-3935-01	Grommet
13	03-3936-01	Flange bushing
14	03-3937-01	Grommet
15	03-1407-06	Washer
16	03-1405-07	Bolt
17	13-0617-02	O-ring
18	02-5096-01	Drain fitting
19	02-5077-01	Compartment
20	02-5096-02	Drain fitting
21	02-4381-03	Photo eye retaining clip
22	13-0840-01	Drain plug
23	13-0964-01	Photo eye rubber holder
24	03-3892-01	Thumb screw
25	02-5079-01	Cover
26	02-5097-01	Shield, 20" only
27	03-1405-16	Cap screw
28	02-4628-01	Ice sweep
29	02-5085-01	Insulation for chute
30	02-5080-01	Chute
31	02-5084-01	Water inlet hose, reservoir to evaporator

Service Parts List for Models UN0815, UF0915, UN1215, UF1415, UN1520 and UF2020

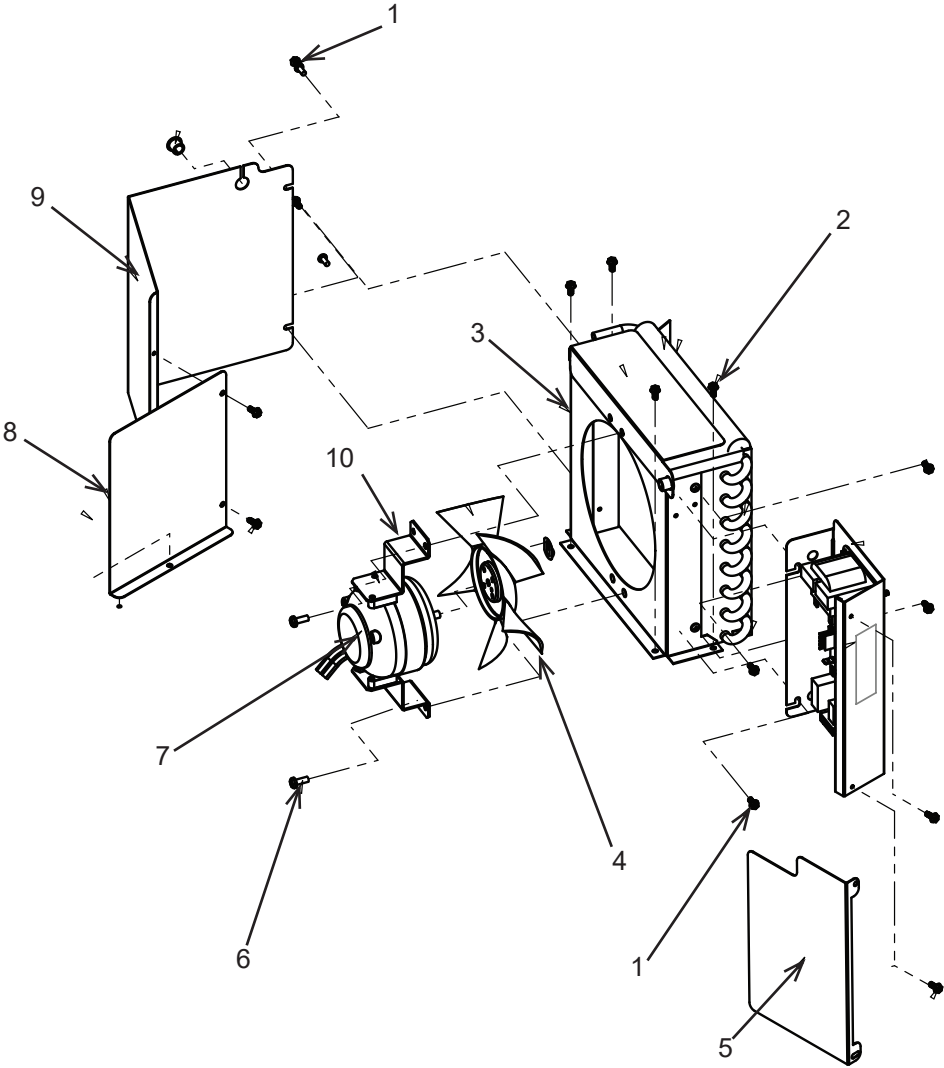
Reservoir Parts



Item	Part Number	Description
1	A40664-001	Reservoir
2	02-4955-01	Knob
3	02-2217-02	Float valve only, part of item 1

Service Parts List for Models UN0815, UF0915, UN1215, UF1415, UN1520 and UF2020

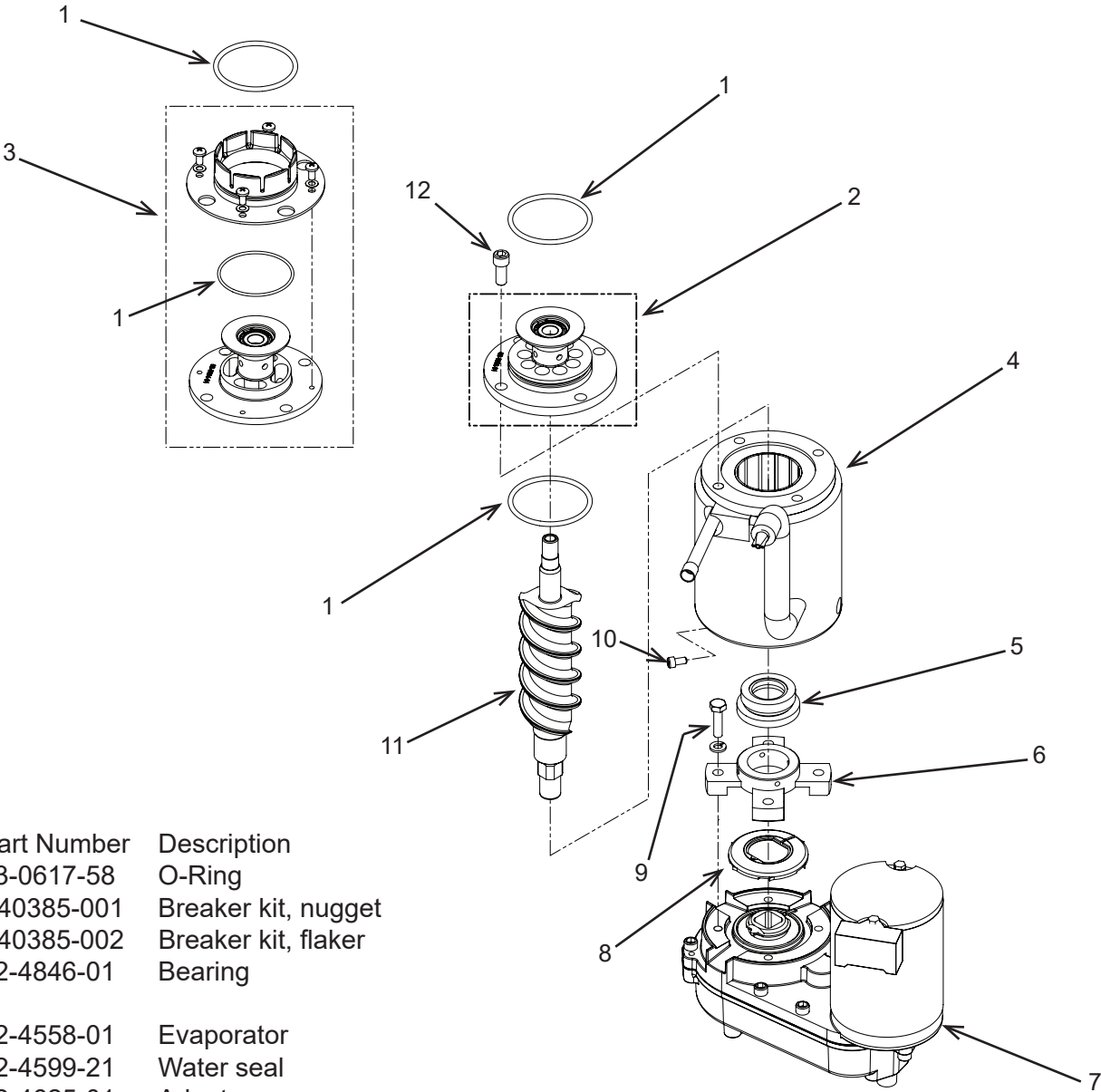
Fan and Fan Blade



Item	Part Number	Description
1	03-3943-01	Screw
2	03-3963-01	Screw
3	A39460-001	Fan shroud
4	02-4197-01	Fan blade
5	A40077-001	Control cover
6	03-3943-02	Screw
7	12-3024-01	Fan motor, 15"
	12-2989-01	Fan motor, 20"
8	A40015-001	Barrier, 20" only
9	A40078-001	Barrier, 20" only
10	A39556-001	Fan motor bracket

Service Parts List for Models UN0815, UF0915, UN1215, UF1415, UN1520 and UF2020

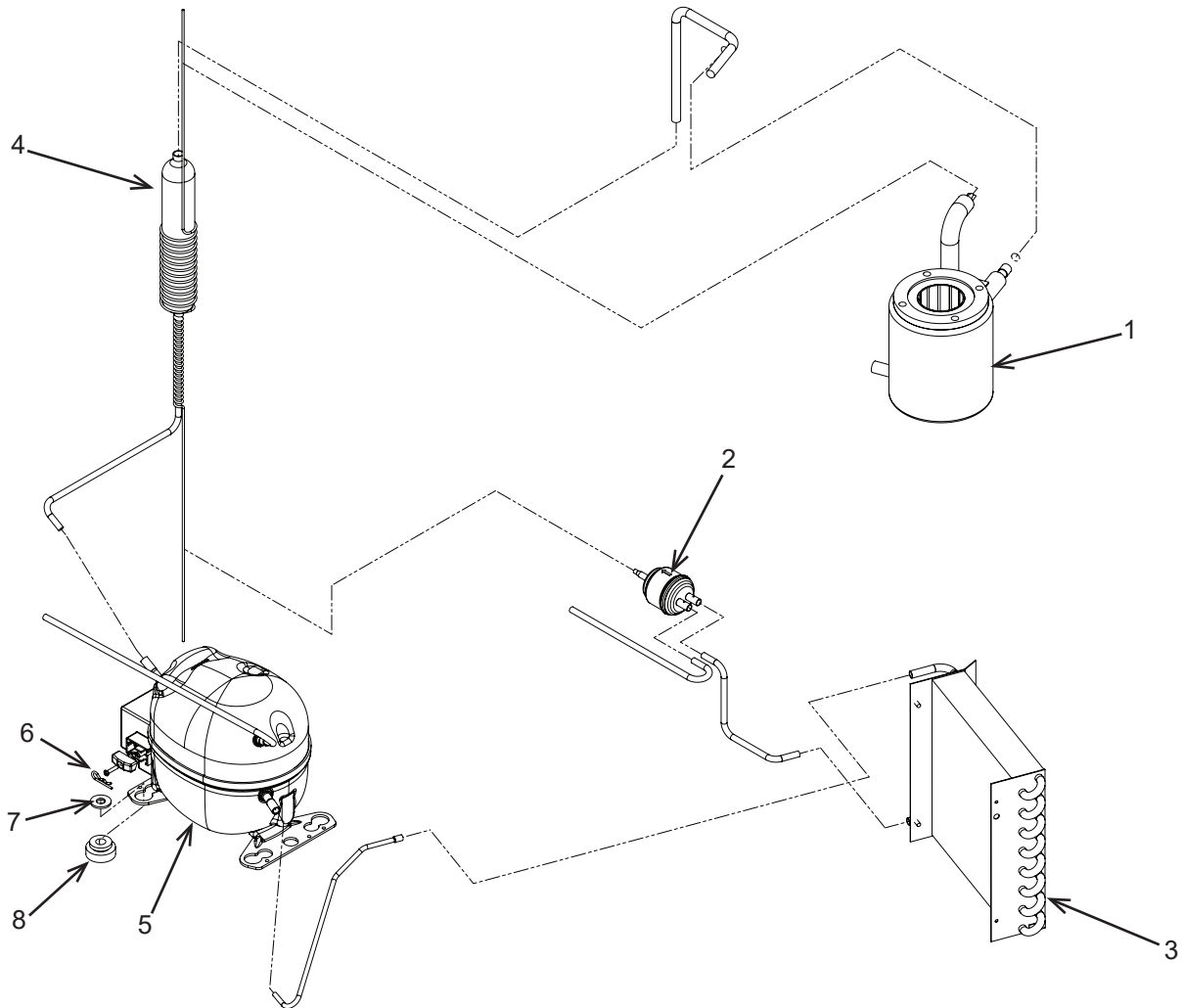
Ice Making and Gear Reducer



Item	Part Number	Description
1	13-0617-58	O-Ring
2	A40385-001	Breaker kit, nugget
2a	A40385-002	Breaker kit, flaker
2b	02-4846-01	Bearing
3		
4	02-4558-01	Evaporator
5	02-4599-21	Water seal
6	02-4625-01	Adapter
7	02-4580-23	Gear reducer
8	02-4662-01	Water shed
9	03-1405-54	Cap screw
10	03-1544-04	Cap screw
11	02-4861-01	Auger
12	03-1544-08	Cap screw

Service Parts List for Models UN0815, UF0915, UN1215, UF1415, UN1520 and UF2020

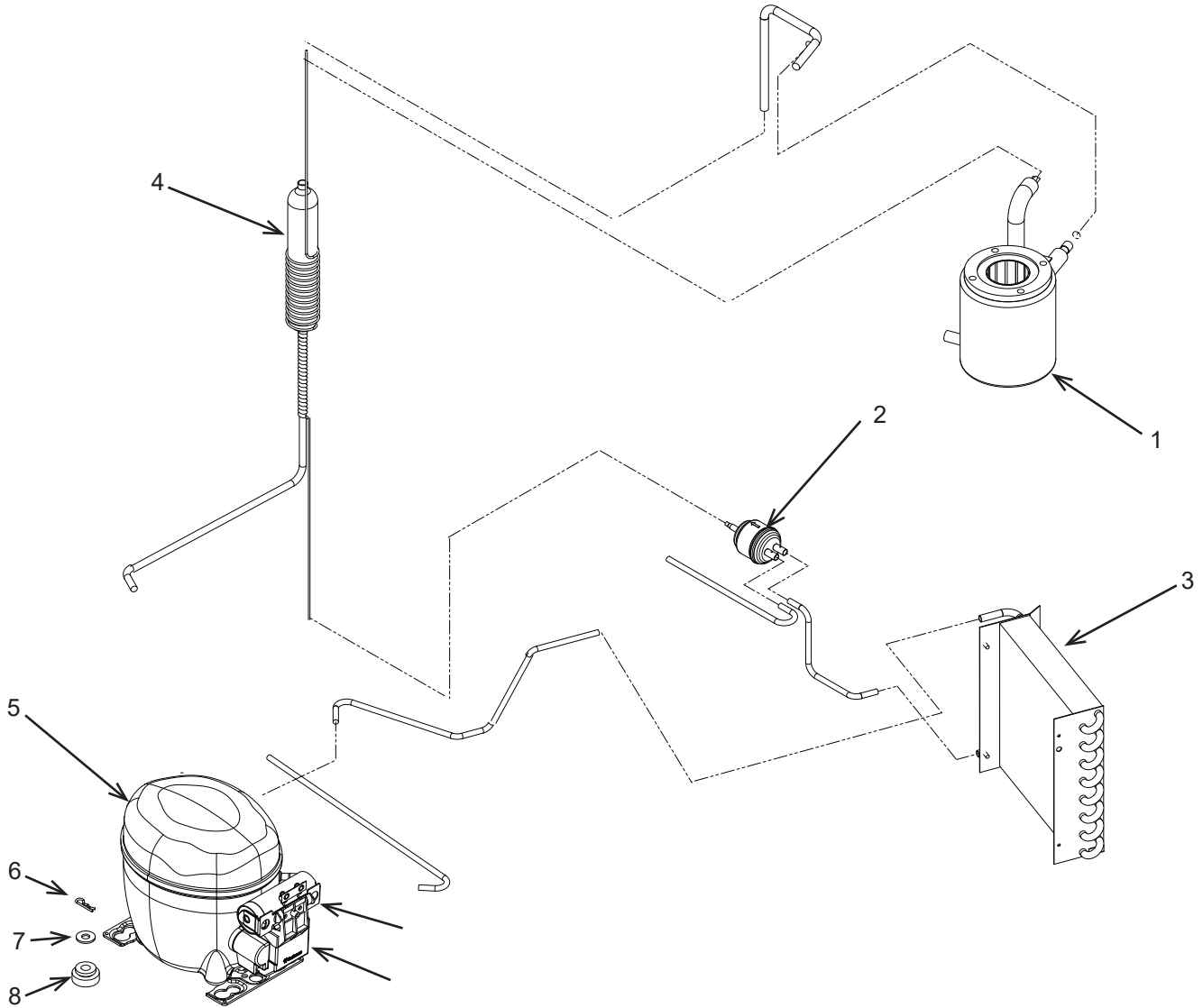
Refrigeration for Models UN0815/UF0915, UN1215/UF1415



Item	Part Number	Description
1	02-4558-01	Evaporator
2	16-1219-01	Dryer
3	18-8940-01	Condenser
4	A41042-001	Heat exchanger, 15 inch
5	18-8962-21	Compressor kit, UN0815 or UF0915. Includes dryer and all starting components.
	18-8962-61	Start relay
	18-8962-62	Start capacitor
	18-8962-63	Overload
	18-8956-21	Compressor kit, UN1215 or UF1415. Includes dryer and all starting components.
	18-8956-51	Start relay
	18-8956-52	Start capacitor
	18-8956-53	Overload
6	03-3821-01	Clip
7	03-1407-08	Washer
8	18-8964-01	Grommet

Service Parts List for Models UN0815, UF0915, UN1215, UF1415, UN1520 and UF2020

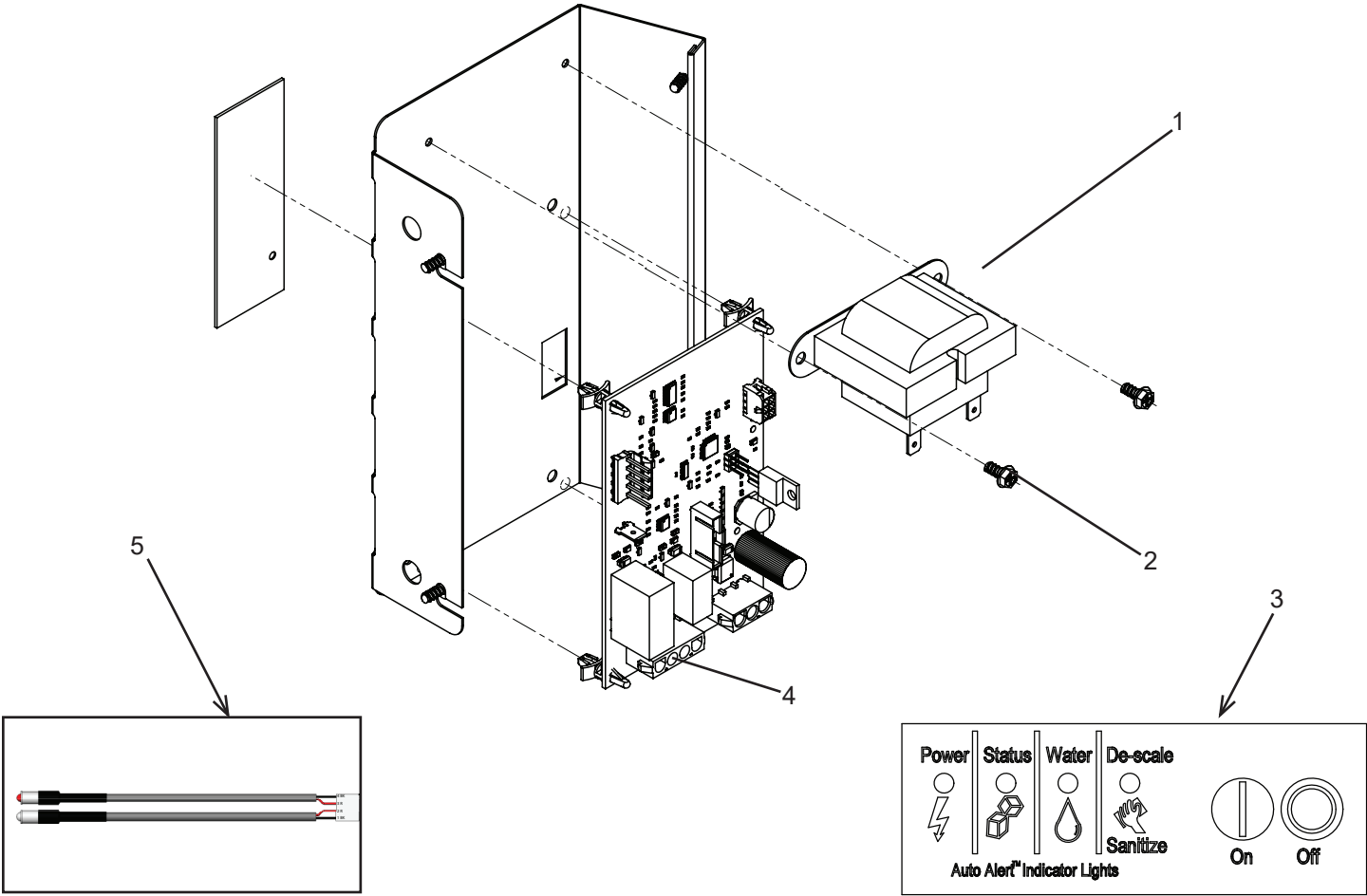
Refrigeration for Models UN1520, UF2020



Item	Part Number	Description
1	02-4558-01	Evaporator
2	16-1219-01	Dryer
3	18-8940-01	Condenser
4	A41043-001	Heat exchanger, 20 inc
5	18-8959-21	Compressor kit, UN1520 or UF2020. Includes dryer and all starting components.
	18-8959-51	Start relay
	18-8959-52	Start capacitor
	18-8959-53	Overload
6	03-3821-01	Clip
7	03-1407-08	Washer
8	18-8964-01	Grommet

Service Parts List for Models UN0815, UF0915, UN1215, UF1415, UN1520 and UF2020

Controller, Transformer and Harnesses



Item	Part Number	Description
1	12-2924-01	Transformer
2	03-3943-01	Screw
3	11-0622-01	Membrane with harness
4	11-0667-21	Controller with standoffs
5	12-3094-01	Bin level control eyes with harness

Not shown

6	12-3148-01	Power harness (from transformer to controller)
	12-3149-01	High voltage harness